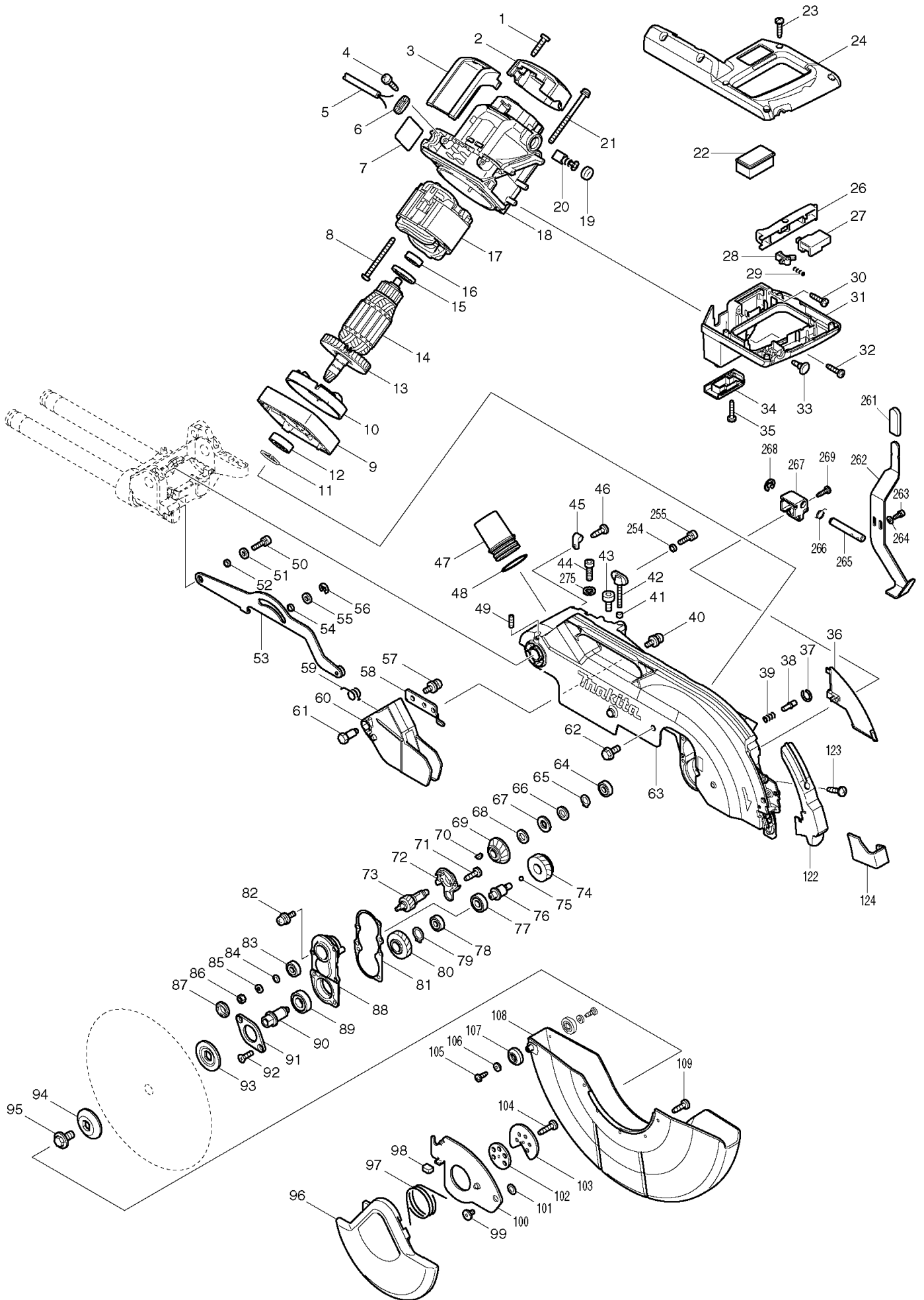
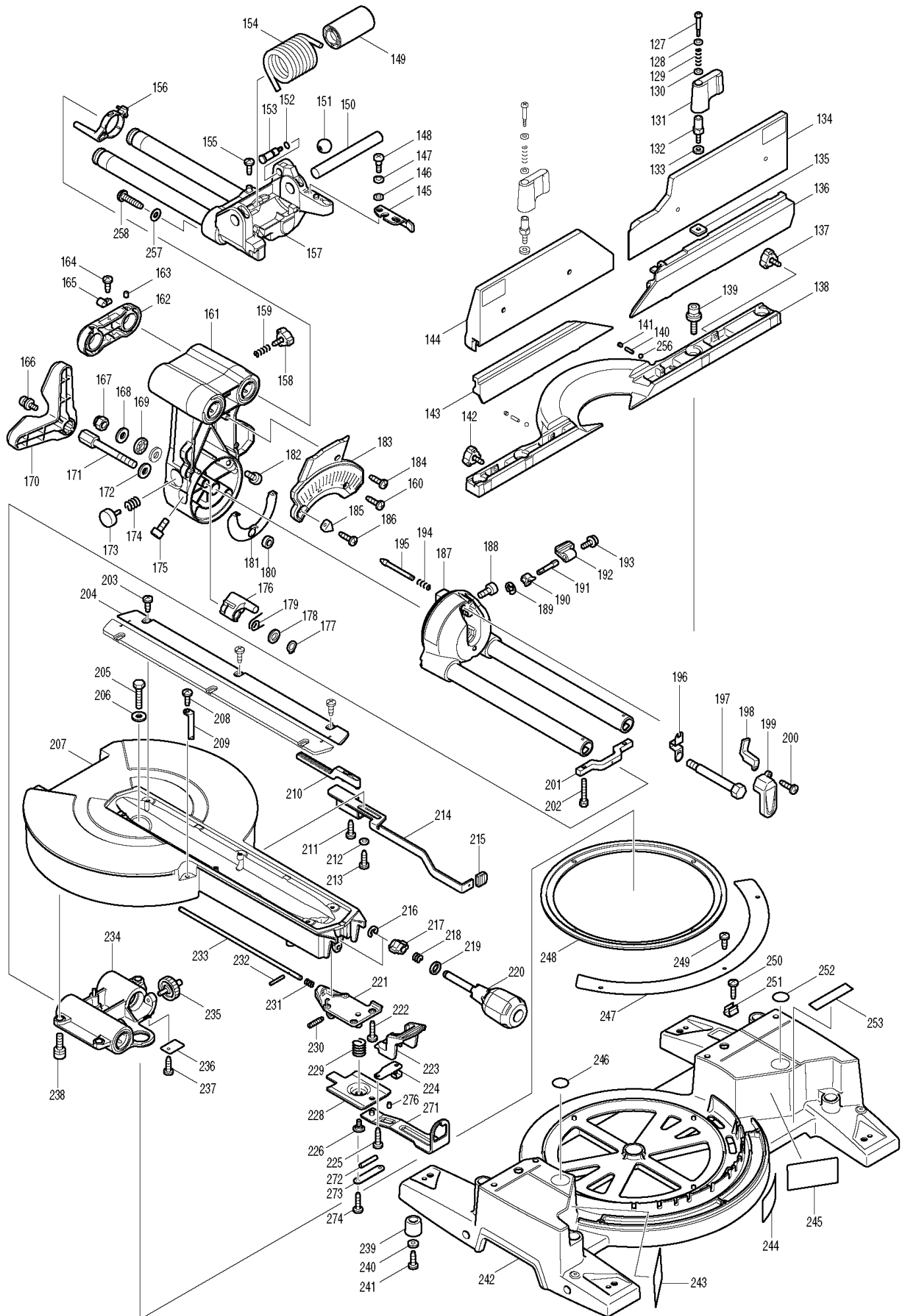


# Partdrawing for LS1216/1 - MITRE SAW 305MM 110V





No.	Part no.	Name
27	651938-8	SWITCH TG72B 110V BUC121/122
31	140049-9	HANDLE COMP LS1016/1216
63	140152-6	BLADE CASE COMP LS1216
53	140164-9	LINK PLATE COMP LS1216
5	665550-8	POWER SUPPLY CORD 2.5-2-2.5
88	158957-0	BEARING BOX COMP LS1216/1016
18	158958-8	MOTOR HOUSING COMP LS1216/1016
96	158959-6	SAFETY COVER A COMP LS1016/121
15	681642-5	INSULATION WASHER HM1317C-CB/H
45	687042-7	STRAIN RELIEF LS1013/2012NB
45	687049-3	STRAIN RELIEF LF1000
6	687052-4	STRAIN RELIEF BO5041/KP0810
6	687054-0	STRAIN RELIEF 9079F 110/LF100
5	692527-0	LEAD WIRE HP1641/TD0101F/KP081
20	181044-0	CARBON BRUSH CB-153 (CB-22)/94
7	866946-8	NAME PLATE LS1216
64	210005-4	BALL BEARING 608DDW GA5020
78	210005-4	BALL BEARING 608DDW GA5020
83	210005-4	BALL BEARING 608DDW GA5020
16	210067-2	*BALL BEARING 6000ZZ SMA910
77	210067-2	*BALL BEARING 6000ZZ SMA910
40	911113-1	*PAN HEAD SCREW M4X10 10PK
57	911113-1	*PAN HEAD SCREW M4X10 10PK
82	911223-4	*PAN HD SCREW 5X16 W/CP 10PK
21	911948-0	PAN HD SCREW M6X80 LS1216
89	211236-8	BALL BEARING 6002DDW GA5020/21
12	211275-8	BALL BEARING 6003DDW 3620/9045
48	213460-9	O RING 35 HM1303B/LS800DWB/HR1
75	216024-8	*STEEL BALL 4 10PK
263	922111-0	*HEX SOCKET HD BOLT M4X10 5PK
255	922226-3	HEX SOCKET HD BOLT M5X18 EBH25
50	922331-6	*CAP HD SCREW M6X20 HM1800 5PK
44	922332-4	HEX. SOCKET HEAD BOLT M6X20
86	931202-6	*HEX FULL NUT M5 10PK
106	941051-3	*FLAT WASHER 4 DIN125 - 10PK
264	941051-3	*FLAT WASHER 4 DIN125 - 10PK
85	942101-7	*M5 SPRING RING DIN128 10PK
275	942151-2	*M6 SPRING RING DIN128 10PK
94	224433-7	OUTER FLANGE 62 LS1216
93	224464-6	INNER FLANGE 62 LS1216
268	961012-7	*EXT E-RING JIS JE-6 10PK
56	961018-5	*EXT E-RING JIS JE-5 10PK
65	961052-5	*EXT DIN 471 CIRCLIP-12 10PK
79	961055-9	*EXT DIN471 CIRCLIP-15 10PK
11	961057-5	*EXT DIN 471 CIRCLIP-17 10PK
69	227550-2	SPIRAL BEVEL GEAR 32 LS1016
73	227701-7	HELICAL GEAR 14 LS1016/1216
74	227702-5	HELICAL GEAR 27 LS1016/1216

80	227703-3	HELICAL GEAR 28 LS1016/1216
29	231026-3	*COMPRESSION SPRING 4 10PK
39	231240-1	*COMPRESSION SPRING 7 10PK
266	231633-2	TORSION SPRING 8 LS1040/1214
59	231675-6	TORSION SPRING 11 LH1040/F
37	231928-3	RING SPRING 4110C/LS1016
97	233554-4	TORSION SPRING 45 LS1216
66	253744-3	*HARD WASHER 12 10PK
68	253744-3	*HARD WASHER 12 10PK
51	253804-1	*BLUE WASHER 6 10PCS 10PK
55	253804-1	*BLUE WASHER 6 10PCS 10PK
101	253932-2	*WAVE WASHER 10 3600B 5PK
70	254001-2	*WOODRUFF KEY 4 10PK
38	256633-1	SHAFT LOCK PIN 6 4110C
52	257163-5	RING 6 LS1013/LS800D/BLS820
54	257163-5	RING 6 LS1013/LS800D/BLS820
254	257785-1	SLEEVE LS1216
67	261104-5	RUBBER WASHER LS1216
41	262001-8	URETHANE RING 5 TW0250/6905B
92	265034-2	*C/SUNK HD SCREW M5X16 5PK
17	590026-5	FIELD ASSY 115V
42	265717-4	WING SCREW M6x43 LS1013
99	265985-9	*PIVOT SCREW M6 5PK
1	265995-6	*PT SCREW 4X18 10PK KP0810C
4	265995-6	*PT SCREW 4X18 10PK KP0810C
23	265995-6	*PT SCREW 4X18 10PK KP0810C
30	265995-6	*PT SCREW 4X18 10PK KP0810C
32	265995-6	*PT SCREW 4X18 10PK KP0810C
35	265995-6	*PT SCREW 4X18 10PK KP0810C
105	266020-6	*PT SCREW 4X12 9046 10PK
46	266026-4	*CT SCREW M4X12 LC1230/LS1216
71	266026-4	*CT SCREW M4X12 LC1230/LS1216
109	266026-4	*CT SCREW M4X12 LC1230/LS1216
104	266034-5	*CT SCREW M4X16 10PK
123	266034-5	*CT SCREW M4X16 10PK
269	266034-5	*CT SCREW M4X16 10PK
62	266283-4	HEX SOCKET HD BOLT M8X20 4157K
49	266321-2	*HSS SET SCREW M6X16 LS071 5PK
8	266329-6	TAPPING SCREW 5X60
43	266488-6	HEX SOCKET HD BOLT M8X20 LS121
95	266755-9	HEX SOCKET HD BOLT M10X20
84	267010-2	*BLUE WASHER 5 JS1660 10PK
91	285732-2	BEARING RETAINER 51 LS1216
87	285847-5	BEARING RETAINER 14-23 BCS550
47	419277-0	Dust Bags For Tools - Dust Nozzle
124	451038-2	PROTECTOR LS1216
9	318471-0	MOTOR BRACKET LS1216
76	325643-0	GEAR SHAFT LS1216
90	325644-8	SPINDLE LS1216

61	325645-6	GUARD SHAFT LS1216
265	325664-2	ROD 8 LS1216
102	344539-6	CENTRE WASHER LS1216
103	346047-3	CENTRE PLATE LS1018L/LS1216
100	346048-1	CENTRE COVER LS1018L/LS1216
58	346050-4	GUARD HOLDER LS1216
262	346097-8	LOCK LEVER LS1216
28	416356-5	LOCK OFF LEVER LF1000
261	421589-9	CAP LS1013/LS800D/BLS820/LS104
98	424190-9	CUSHION LS1216
107	424193-3	ROLLER LS1216
81	442147-8	GASKET LS1216
24	450998-5	HANDLE COVER LS1216
2	450999-3	REAR COVER LC1216
72	451002-3	GREASE HOLDER LS1216
26	451003-1	SWITCH LEVER LS1216
22	451015-4	COVER LS1216
34	451017-0	COVER HOLDER LS1216
33	451037-4	SWITCH BUTTON LS1216
267	451129-9	ROD HOLDER LS1216
10	451194-8	BAFFLE PLATE LS1216
122	451196-4	BLADE CASE COVER LS1216
108	451197-2	SAFETY COVER B LS1216
36	451199-8	LEAD COVER LS1216
60	453635-0	GUARD LS1216
14	510159-0	ARMATURE ASSY 110V LS1216
14	517844-6	ARMATURE ASSY 240V LS1216
17	596359-6	FIELD ASSY 240V LS1216
3	631864-7	CONTROLLER LS1016L
3	631866-3	CONTROLLER LS1216
19	643650-4	BRUSH HOLDER CAP CB-5/UC3530A
27	650618-3	SWITCH TG72G-1 LS1216

No.	Part no.	Name
242	140054-6	BASE COMPLETE LS1216/1016
161	140155-0	ARM COMPLETE LS1216
271	140165-7	MITER LOCK PLATE B COMP LS1216
207	140166-5	TURN BASE COMP LS1216
157	140976-0	FRONT ARM COMP LS1216
157	140976-0	FRONT ARM COMP LS1216
156	158962-7	STOPPER LEVER COMP LS1016/1216
187	158964-3	ARM HOLDER COMP LS1216 /1016
201	158967-7	SQUARE ROD COMP LS1016/1216
234	158968-5	LINEAR BEARING BOX COMP LS1016
165	687042-7	STRAIN RELIEF LS1013/2012NB
165	687049-3	STRAIN RELIEF LF1000
243	810495-7	LABEL/CAUTION LABEL LC1216
247	816920-6	MITER SCALE LABEL LS1216
246	817283-3	CAUTION LABEL LS1013/BLS820
252	817283-3	CAUTION LABEL LS1013/BLS820
166	911113-1	*PAN HEAD SCREW M4X10 10PK
193	911113-1	*PAN HEAD SCREW M4X10 10PK
152	213011-8	O RING 7 ML900/9079S/LS1214
256	216024-8	*STEEL BALL 4 10PK
169	216413-7	THRUST NEEDLE GAUGE 1023/LF100
238	922441-9	HEX SOCKET HD BOLT M8X25 PC500
139	922443-5	HSH BOLT M8X25 WITH WR LS1216
202	925251-3	*HEX BOLT M5X30 LS0714/FL 5PK
212	941051-3	*FLAT WASHER 4 DIN125 - 10PK
128	941102-2	*FLAT WASHER 5 DIN125-A 10PK
130	941102-2	*FLAT WASHER 5 DIN125-A 10PK
189	961011-9	*EXT E-RING JIS E-4 10PK
216	961013-5	*EXT E-RING JIS JE-7 10PK
177	961052-5	*EXT DIN 471 CIRCLIP-12 10PK
218	231131-6	*COMPRESSION SPRING 11 10PK
159	231240-1	*COMPRESSION SPRING 7 10PK
231	231325-3	COMPRESSION SPRING 6 LS0714/FL
179	231646-3	TORSION SPRING 14 LS1016/1216
251	232075-3	LEAF SPRING LS1013/LC1230/LF10
236	232249-6	LEAF SPRING LS1216
196	232250-1	LEAF SPRING LS1216
174	233031-6	*COMPRESSION SPRING 12 10PK
129	233267-7	COMPRESSION SPRING 7 AN504
154	233542-1	TORSION SPRING 40 LS1216
229	234104-8	COMPRESSION SPRINGN 13 LS1216
194	234122-6	COMPRESSION SPRINGN 6 LS1216
148	251267-5	*PH SHOULDER SCREW M6 5PK
167	252130-5	*NYLON INSERT NUT M10X17 5PK
168	253024-7	*FLAT WASHER 10 SEE 10PK
172	253024-7	*FLAT WASHER 10 SEE 10PK
178	253744-3	*HARD WASHER 12 10PK
206	253762-1	*HARD WASHER 8 LS1040 5PK

133	253804-1	*BLUE WASHER 6 10PCS 10PK
147	253835-0	*FLAT WASHER 8 8406C 5PK
257	253874-0	*LARGE BLUE WASHER 4 10PK
146	253948-7	*WAVE WASHER 8 UM140DST 5PK
232	256158-5	PIN 3 T221DW/6835DWA/BLS820/JR
140	256226-4	PIN 4 6805BV/2012NB
272	256246-8	PIN 6 LS1216
180	262158-5	RUBBER RING 9 LS1216
127	265026-1	*SHOULDER SCREW M4 3901 5PK
205	265585-5	HEX BOLT M8X45 LS1216
171	265589-7	HEX BOLT M10 LS1216
137	265783-1	THUMB SCREW M6X18 LS1216
142	265783-1	THUMB SCREW M6X18 LS1216
158	265783-1	THUMB SCREW M6X18 LS1216
155	266026-4	*CT SCREW M4X12 LC1230/LS1216
164	266026-4	*CT SCREW M4X12 LC1230/LS1216
203	266026-4	*CT SCREW M4X12 LC1230/LS1216
208	266026-4	*CT SCREW M4X12 LC1230/LS1216
213	266026-4	*CT SCREW M4X12 LC1230/LS1216
237	266026-4	*CT SCREW M4X12 LC1230/LS1216
241	266026-4	*CT SCREW M4X12 LC1230/LS1216
249	266026-4	*CT SCREW M4X12 LC1230/LS1216
160	266034-5	*CT SCREW M4X16 10PK
184	266034-5	*CT SCREW M4X16 10PK
186	266034-5	*CT SCREW M4X16 10PK
200	266034-5	*CT SCREW M4X16 10PK
222	266034-5	*CT SCREW M4X16 10PK
225	266034-5	*CT SCREW M4X16 10PK
250	266034-5	*CT SCREW M4X16 10PK
274	266034-5	*CT SCREW M4X16 10PK
258	266042-6	*CT SCREW M4X20 5703R 10PK
163	266208-8	'HSS BOLT M6X8 LS0714/FL
141	266264-8	*GRUB SCREW M5X6 5PK
230	266306-8	'SHOULDER SCREW M5 LS0714FL
276	266318-1	*HSS SET SCREW M4X6 LS0714 5PK
211	266385-6	*TAPPING SCREW 4X14 GA9020S
175	266488-6	HEX SOCKET HD BOLT M8X20 LS121
182	266488-6	HEX SOCKET HD BOLT M8X20 LS121
188	266488-6	HEX SOCKET HD BOLT M8X20 LS121
226	266505-2	HS BINDING HD SCREW M6X14 LS12
219	267047-9	*NARROW WASHER 10 6705D 5PK
240	267195-4	FLAT WASHER 4 UC3530A/DCS230T
144	140156-8	UPPER FENCE COMP L LS1216
134	140160-7	UPPER FENCE COMP R LS1216
151	271601-3	KNOB 20 LS1030/LS800D/BLS820
131	272261-4	LEVER 45 LS1016
192	272262-2	LEVER 22 LS1216
215	286275-7	CAP SP6000
220	273666-1	GRIP 50 LS1216

---

138	318411-8	GUIDE FENCE LS1216
136	318476-0	LOWER FENCE R LS1216
143	318863-3	LOWER FENCE L LS1216
217	313165-2	CAM LS1216
162	318403-7	PIPE HOLDER LS1216
176	318405-3	STOPPER LS1216
221	318410-0	PIN HOLDER LS1216
153	322629-5	STOP PIN LS1211
150	323740-6	ROD 16 LS1216
197	325646-4	CENTRE SHAFT LS1018L/1216
132	325651-1	JOINT LS1216
191	325656-1	ROD 6 LS1216
233	325695-1	LOCK PIN 6 LS1216
195	325865-2	LOCK PIN 8 LS1216
185	343678-9	'POINTER LS0714/FL
224	345272-3	'LOCK LEVER PLATE LS0714/FL
145	346049-9	STOPPER ARM LS1216
214	346052-0	SLIDE LOCK PLATE LS1216
135	346058-8	GUIDE PLATE LS1216
181	346071-6	PLATE LS1216
228	346094-4	MITER LOCK PLATE A LS1216
273	346096-0	PLATE LS1216
173	415208-7	RELEASE BUTON LS1216
239	421845-7	FOOT LS1216
209	451009-9	INDICATION PLATE LS1216
223	451010-4	LOCK LEVER LS1216
210	451011-2	RACK BLOCK LS1216
248	451012-0	SLIDE PLATE LS1216
235	451018-8	SPUR GEAR 43 LS1216
170	451019-6	LEVER 105 LS1216
198	451039-0	POSITION PLATE LS1216
190	451044-7	CAM LS1216
199	451070-6	ARM HOLDER COVER LS1216
183	451200-9	ARM COVER LS1216
204	451201-7	KERF BOARD LS1216
149	451202-5	SLEEVE 17 LS1216